



## HIGH PRECISION DIGITAL THICKNESS GAUGES

ATTENTION: RECHARGEABLE BATTERY,  
FOR 12 HOURS CONTINUOUS WORKING

DATA  
OUTPUT

MEASURING TIPS AND ANVILS  
CAN BE CUSTOM-MADE

ABSOLUTE ENCODER, THE ORIGINAL  
DATA REMAINS AFTER POWER OFF



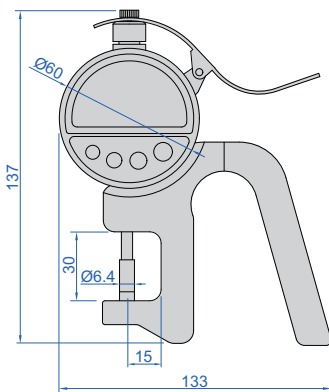
2879-10



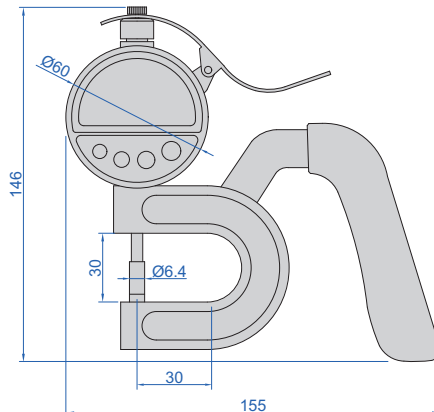
2879-30



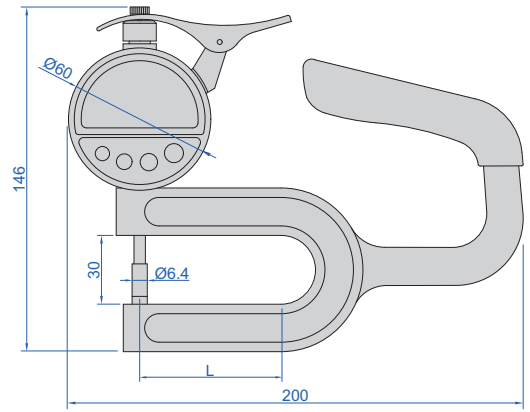
2879-60



2879-10  
2879-101



2879-30



2879-60  
2879-100

Unit: mm

- Absolute encoder, the original data remains after power off
- Button function: on/off, zero, tolerance, absolute/incremental measurement, max./min./TIR, data preset, mm/inch, data output, data hold
- Reading in digital and analog
- Power: rechargeable battery, for 12 hours continuous working
- Data output
- Supplied with data output cable (keyboard format)

Code	Range	Resolution	Accuracy	Repeatability	Measuring force	L
2879-10	0-10mm/0-0.4"	0.001mm/0.00005"	±0.002mm	0.001mm	0.5-1N	—
2879-101	0-10mm/0-0.4"	0.0005mm/0.00002"	±0.0015mm	0.0005mm	0.5-1N	—
2879-30	0-10mm/0-0.4"	0.001mm/0.00005"	±0.002mm	0.001mm	0.5-1N	—
2879-60	0-10mm/0-0.4"	0.001mm/0.00005"	±0.003mm	0.001mm	0.5-1N	60mm
2879-100	0-10mm/0-0.4"	0.001mm/0.00005"	±0.004mm	0.001mm	0.5-1N	100mm

## SMART DIGITAL THICKNESS GAUGES



2850-10

- Linear ball bearings for ten million times use
- Absolute encoder, the original data remains after power off
- Adjustable resolution: 0.0005mm/0.00002"  
0.001mm/0.00005"  
0.01mm/0.0005"
- Ceramic spindle tip and anvil
- Reading in digital and analog
- Data output
- Automatic measurement of the min. value, and the data can be transmitted automatically after each measurement
- Button function: data output, tolerance, data preset, data hold, measuring direction change, power off time, on/off, mm/inch, adjust resolution
- Power: rechargeable battery, for 24 hours continuous working

### With data interface

Optional accessory:  
wireless transmitter code **7315-60** (receiver is needed) page 7  
data output cable (keyboard format) code **7302-60** page 21

Code	Range	Accuracy
2850-10	10mm/0.4"	±3µm



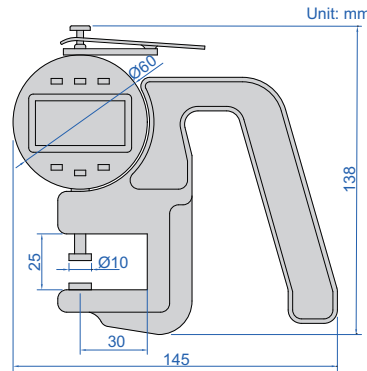
AUTOMATIC MEASUREMENT OF THE MIN. VALUE, AND THE DATA CAN BE TRANSMITTED AUTOMATICALLY AFTER EACH MEASUREMENT

DATA OUTPUT

LINEAR BALL BEARINGS FOR TEN MILLION TIMES USE

ABSOLUTE ENCODER, THE ORIGINAL DATA REMAINS AFTER POWER OFF

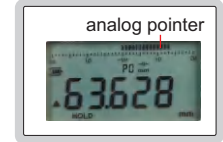
ATTENTION: RECHARGEABLE BATTERY, FOR 24 HOURS CONTINUOUS WORKING



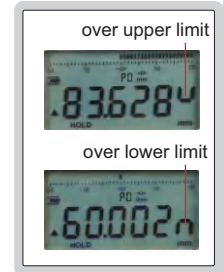
wireless receiver  
**2134-R1, 2134-R2 (optional)**



analog pointer



alarm when over tolerance



### Built-in wireless

Optional accessory:  
wireless receiver (keyboard format, connect up to 15 digital indicators), code **2134-R1**  
wireless receiver (serial port format, connect up to 15 digital indicators), code **2134-R2**

Code	Range	Accuracy
2850-10WL	10mm/0.4"	±3µm

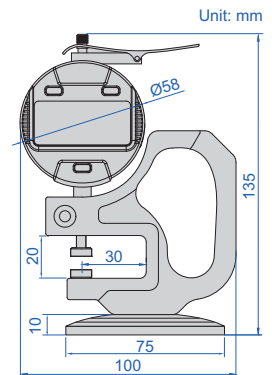
## DIGITAL THICKNESS GAUGES (WITH BASE)

- Button function: on/off, inch/mm, zero, data preset, change measuring direction, absolute/incremental measurement
- Keep preset data in memory after restart
- CR2032 battery, automatic power off (time is adjustable)
- Data output
- Optional accessory:  
wireless transmitter code **7315-50M** (receiver is needed) page 6,  
bluetooth transmitter code **7214-50M** page 12,  
data output cable code **7302-50M** page 21

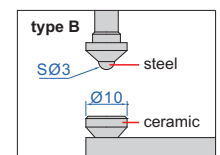
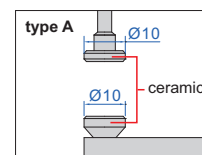


2673-10

DATA OUTPUT



Code	Range	Resolution	Accuracy	Type
2673-10	0-10mm/0-0.4"	0.01mm/0.0005"	±0.02mm	A
2673-101	0-10mm/0-0.4"	0.001mm/0.00005"	±0.005mm	A
2673-10B	0-10mm/0-0.4"	0.01mm/0.0005"	±0.02mm	B
2673-101B	0-10mm/0-0.4"	0.001mm/0.00005"	±0.005mm	B

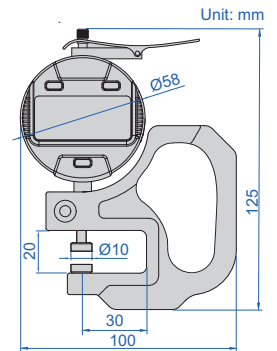


POPULAR MODEL

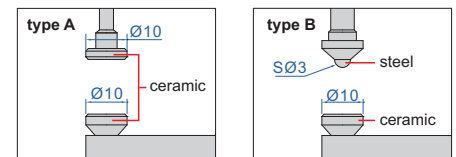
DATA OUTPUT

## DIGITAL THICKNESS GAUGES

- Button function: on/off, inch/mm, zero, data preset, change measuring direction, absolute/incremental measurement
- Keep preset data in memory after restart
- CR2032 battery, automatic power off (time is adjustable)
- Data output
- Optional accessory:  
wireless transmitter code **7315-50M** (receiver is needed) page 6,  
bluetooth transmitter code **7214-50M** page 12,  
data output cable code **7302-50M** page 21

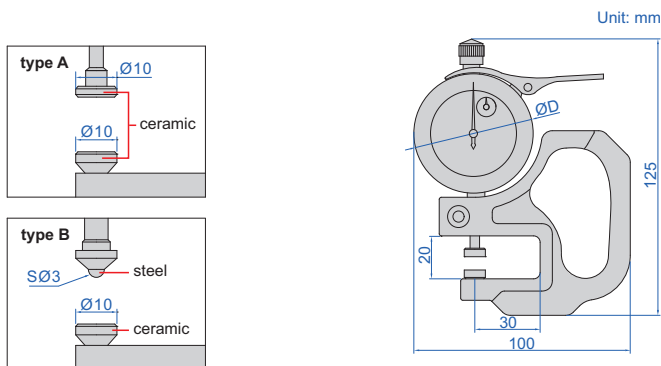


2871-101



Code	Range	Resolution	Accuracy	Type
2871-10	0-10mm/0-0.4"	0.01mm/0.0005"	$\pm 0.02$ mm	A
2871-101	0-10mm/0-0.4"	0.001mm/0.00005"	$\pm 0.005$ mm	A
2871-10B	0-10mm/0-0.4"	0.01mm/0.0005"	$\pm 0.02$ mm	B
2871-101B	0-10mm/0-0.4"	0.001mm/0.00005"	$\pm 0.005$ mm	B

## THICKNESS GAUGES



2364-10

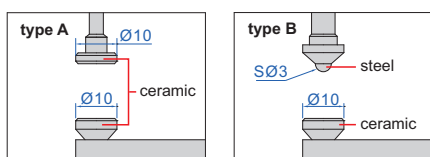


2364-1

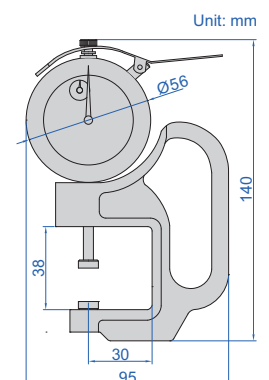
Code	Range	Graduation	Accuracy	Type	$\varnothing D$
2364-10	0-10mm	0.01mm	$\pm 0.02$ mm	A	58mm
2364-10B	0-10mm	0.01mm	$\pm 0.02$ mm	B	58mm
2364-1	0-1mm	0.001mm	$\pm 0.005$ mm	A	56mm

11

## THICKNESS GAUGES



2366-30

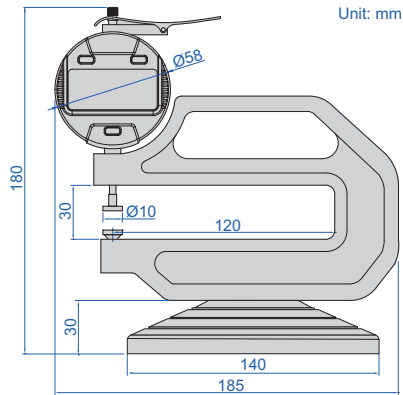


Code	Range	Graduation	Accuracy	Type
2366-30	0-30mm	0.01mm	$\pm 0.035$ mm	A
2366-30B	0-30mm	0.01mm	$\pm 0.035$ mm	B

## DIGITAL THICKNESS GAUGES (WITH BASE)

DATA  
OUTPUT

measuring tips  
and anvils can be  
custom-made



2674-10

- Ceramic spindle tip and anvil
- Buttons: on/off, inch/mm, zero, data preset, change measuring direction, absolute/incremental measurement
- Keep preset data in memory after restart
- Battery CR2032, automatic power off (time is adjustable)
- Data output
- Optional accessory:  
wireless transmitter code **7315-50M** (receiver is needed) page 6,  
bluetooth transmitter code **7214-50M** page 12,  
data output cable code **7302-50M** page 21

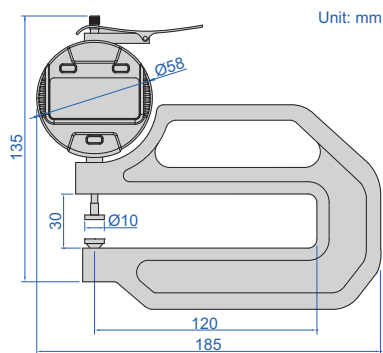
Code	Range	Resolution	Accuracy
<b>2674-10</b>	0-10mm/0-0.4"	0.01mm/0.0005"	±0.02mm
<b>2674-101</b>	0-10mm/0-0.4"	0.001mm/0.00005"	±0.01mm

11

## DIGITAL THICKNESS GAUGES

DATA  
OUTPUT

measuring tips  
and anvils can be  
custom-made



2872-10

- Ceramic spindle tip and anvil
- Buttons: on/off, inch/mm, zero, data preset, change measuring direction, absolute/incremental measurement
- Keep preset data in memory after restart
- Battery CR2032, automatic power off (time is adjustable)
- Data output
- Optional accessory:  
wireless transmitter code **7315-50M** (receiver is needed) page 6,  
bluetooth transmitter code **7214-50M** page 12,  
data output cable code **7302-50M** page 21

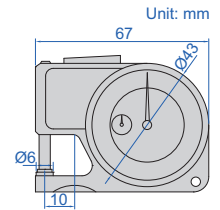
Code	Range	Resolution	Accuracy
<b>2872-10</b>	0-10mm/0-0.4"	0.01mm/0.0005"	±0.02mm
<b>2872-101</b>	0-10mm/0-0.4"	0.001mm/0.00005"	±0.01mm

## THICKNESS GAUGE

- Stainless steel spindle tip and anvil



2363-10



Code	Range	Graduation	Accuracy
2363-10	0-10mm	0.01mm	±0.03mm

## DIGITAL ROLLER THICKNESS GAUGES

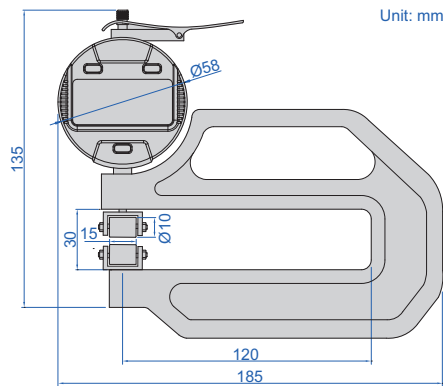
DATA OUTPUT



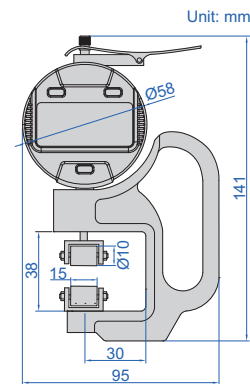
2877-4



2877-10



2877-4/2877-41



2877-10/2877-101

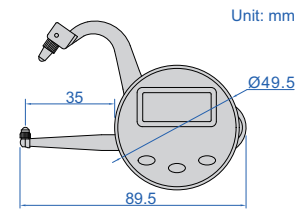
- Buttons: on/off, inch/mm, zero, data preset, change measuring direction, absolute/incremental measurement
- Keep preset data in memory after restart
- Battery CR2032, automatic power off (time is adjustable)
- Data output
- Optional accessory:
  - wireless transmitter code **7315-50M** (receiver is needed) page 6,
  - bluetooth transmitter code **7214-50M** page 12,
  - data output cable code **7302-50M** page 21

Code	Range	Resolution	Accuracy
2877-4	0-3.5mm/0-0.14"	0.01mm/0.0005"	±0.02mm
2877-41	0-3.5mm/0-0.14"	0.001mm/0.00005"	±0.01mm
2877-10	0-10mm/0-0.4"	0.01mm/0.0005"	±0.02mm
2877-101	0-10mm/0-0.4"	0.001mm/0.00005"	±0.01mm

## DIGITAL THICKNESS GAUGE

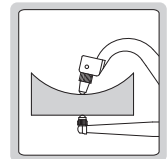


2710-25



- Resolution: 0.01mm, 0.001", 1/64"
- Buttons: on/off, zero, unit (mm/in/fraction), data hold
- Battery CR2032, automatic power off

Code	Range	Accuracy	Repeatability
2710-25	0-25.4mm/0-1"	0.05mm	0.02mm



## DIGITAL GEOMEMBRANE THICKNESS GAUGE

DATA OUTPUT

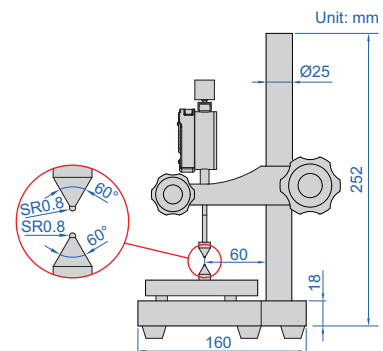
11



2259-10



- Measure thickness of geomembranes
- Button function: on/off, inch/mm, zero, data preset, change measuring direction, absolute/incremental measurement
- CR2032 battery, automatic power off (time is adjustable)
- Supplied with dust cover
- Optional accessory:
  - wireless transmitter code **7315-50M** (receiver is needed) page 6,
  - bluetooth transmitter code **7214-50M** page 12,
  - data output cable code **7302-40M** page 21



Code	Range	Resolution	Accuracy	Pressure
2259-10	12.7mm/0.5"	0.001mm/0.00005"	5µm	0.56±0.05N

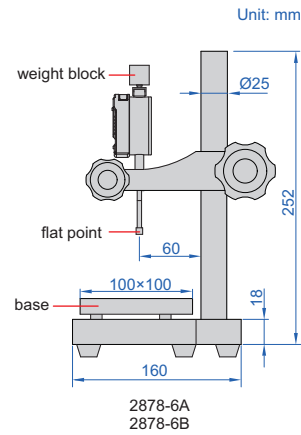
DATA  
OUTPUT



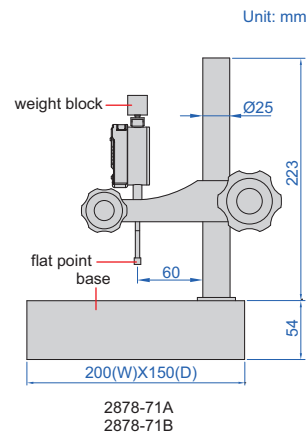
## DIGITAL RUBBER THICKNESS GAUGES



2878-6B



2878-71B



- Measure thickness of vulcanized rubber and plastic products
- Button function: on/off, inch/mm, zero, data preset, change measuring direction, absolute/incremental measurement
- CR2032 battery, automatic power off (time is adjustable)
- Supplied with dust cover
- Optional accessory:
  - wireless transmitter code **7315-50M** (receiver is needed) page 6,
  - bluetooth transmitter code **7214-50M** page 12,
  - data output cable code **7302-40M** page 21,
  - flat points, weight blocks

Code	Range	Resolution	Accuracy	Flat point diameter	Pressure	Base
2878-6A	12.7mm/0.5"	0.01mm/0.0005"	20µm	6mm	22kPa±5kPa	ceramic, plain, flatness 1.5µm
2878-6B	12.7mm/0.5"	0.001mm/0.00005"	5µm	6mm	22kPa±5kPa	ceramic, plain, flatness 1.5µm
2878-71A	12.7mm/0.5"	0.01mm/0.0005"	20µm	6mm	22kPa±5kPa	granite, plain, flatness 2.5µm
2878-71B	12.7mm/0.5"	0.001mm/0.00005"	5µm	6mm	22kPa±5kPa	granite, plain, flatness 2.5µm

### Flat points and weight blocks (optional)

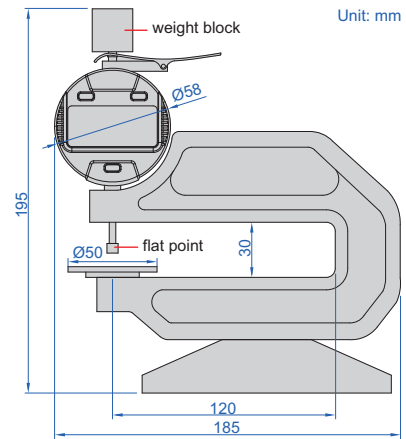
Flat point	Flat point code	Pressure				
		10kPa±2kPa weight block code	22kPa±5kPa weight block code	20kPa±3kPa weight block code	70kPa±5kPa weight block code	1.6kPa±0.1kPa weight block code
Ø4mm	2878-P4	—	2878-W4B	—	—	—
Ø5mm	2878-P5	2878-W5A	2878-W5B	2878-W5C	2878-W5D	—
Ø6mm	2878-P6	2878-W6A	2878-W6B	—	—	—
Ø8mm	2878-P8	2878-W8A	2878-W8B	—	—	—
Ø10mm	2878-P10	2878-W10A	2878-W10B	2878-W10C	—	—
Ø25mm	2878-P25	—	—	—	—	2878-W25E
1×4mm (rectangle)	2878-P14	—	—	—	2878-W14D	—

## DIGITAL RUBBER THICKNESS GAUGES

DATA  
OUTPUT



2263-6B



11

- Measure thickness of vulcanized rubber and plastic products
- Button function: on/off, inch/mm, zero, data preset, change measuring direction, absolute/incremental measurement
- Keep preset data in memory after restart
- CR2032 battery, automatic power off (time is adjustable)
- Data output
- Optional accessory:
  - wireless transmitter code **7315-50M** (receiver is needed) page 6,
  - bluetooth transmitter code **7214-50M** page 12,
  - data output cable code **7302-50M** page 21,
  - flat points, weight blocks

Code	Range	Resolution	Accuracy	Flat point diameter	Pressure
2263-6A	0-10mm/0-0.4"	0.01mm/0.0005"	20µm	6mm	22kPa±5kPa
2263-6B	0-10mm/0-0.4"	0.001mm/0.00005"	5µm	6mm	22kPa±5kPa

### Flat points and weight blocks (optional)

Flat point	Flat point code	Pressure				
		10kPa±2kPa	22kPa±5kPa	20kPa±3kPa	70kPa±5kPa	1.6kPa±0.1kPa
		weight block code	weight block code	weight block code	weight block code	weight block code
Ø4mm	2878-P4	—	2878-W4B	—	—	—
Ø5mm	2878-P5	2878-W5A	2878-W5B	2878-W5C	2878-W5D	—
Ø6mm	2878-P6	2878-W6A	2878-W6B	—	—	—
Ø8mm	2878-P8	2878-W8A	2878-W8B	—	—	—
Ø10mm	2878-P10	2878-W10A	2878-W10B	2878-W10C	—	—
Ø25mm	2878-P25	—	—	—	—	2878-W25E
1×4mm (rectangle)	2878-P14	—	—	—	2878-W14D	—



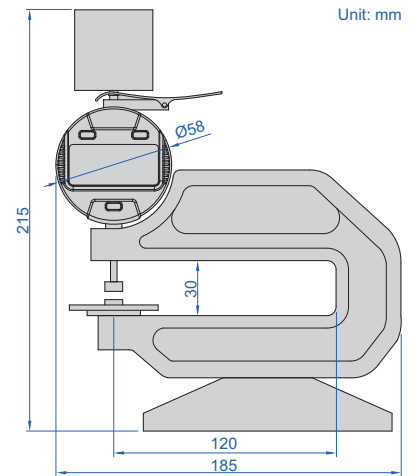
DATA  
OUTPUT



## DIGITAL LEATHER THICKNESS GAUGES

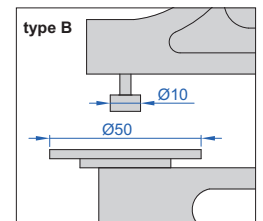
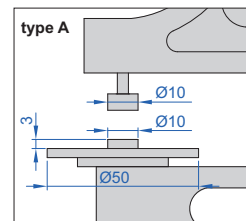


2262-10



Unit: mm

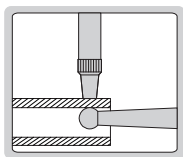
- Measure thickness of leather
- Buttons: on/off, inch/mm, zero, data preset, change measuring direction, absolute/incremental measurement
- Keep preset data in memory after restart
- Battery CR2032, automatic power off (time is adjustable)
- Data output
- Optional accessory:
  - wireless transmitter code **7315-50M** (receiver is needed) page 6,
  - bluetooth transmitter code **7214-50M** page 12,
  - data output cable code **7302-50M** page 21



11

Code	Range	Resolution	Accuracy	Type
2262-10	0-10mm/0-0.4"	0.01mm/0.0005"	±0.02mm	A
2262-10B	0-10mm/0-0.4"	0.01mm/0.0005"	±0.02mm	B

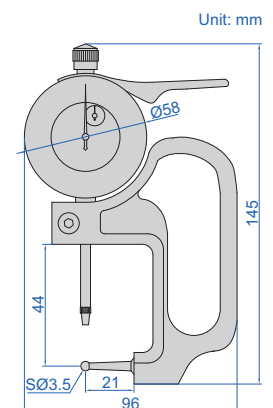
## TUBE THICKNESS GAUGE



- Measure tube wall thickness



2367-10A



Unit: mm

Code	Range	Graduation	Accuracy
2367-10A	0-10mm	0.01mm	±0.02mm

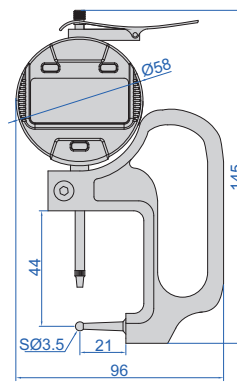
## DIGITAL TUBE THICKNESS GAUGES

DATA  
OUTPUT



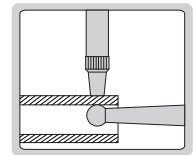
2876-10

Unit: mm



- Buttons: on/off, inch/mm, zero, data preset, change measuring direction, absolute/incremental measurement
- Keep preset data in memory after restart
- Battery CR2032, automatic power off (time is adjustable)
- Data output
- Optional accessory:  
wireless transmitter code **7315-50M** (receiver is needed) page 6,  
bluetooth transmitter code **7214-50M** page 12,  
data output cable code **7302-50M** page 21

Code	Range	Resolution	Accuracy
2876-10	0-10mm/0-0.4"	0.01mm/0.0005"	±0.02mm
2876-101	0-10mm/0-0.4"	0.001mm/0.00005"	±0.005mm



11

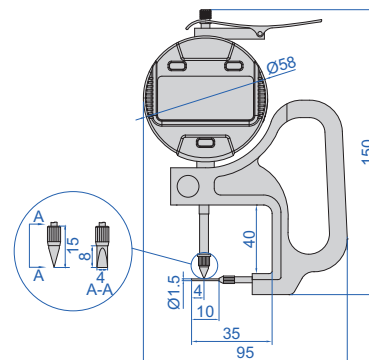
## DIGITAL TUBE THICKNESS GAUGES

DATA  
OUTPUT



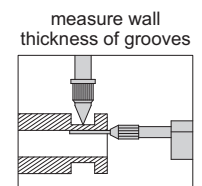
2873-10

Unit: mm



- Buttons: on/off, inch/mm, zero, data preset, change measuring direction, absolute/incremental measurement
- Keep preset data in memory after restart
- Battery CR2032, automatic power off (time is adjustable)
- Data output
- Optional accessory:  
wireless transmitter code **7315-50M** (receiver is needed) page 6,  
bluetooth transmitter code **7214-50M** page 12,  
data output cable code **7302-50M** page 21

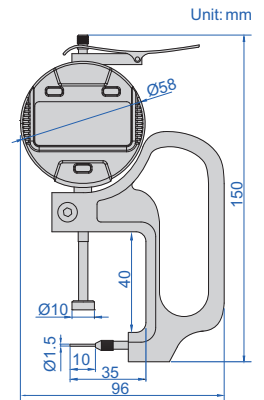
Code	Range	Resolution	Accuracy
2873-10	0-10mm/0-0.4"	0.01mm/0.0005"	±0.02mm
2873-101	0-10mm/0-0.4"	0.001mm/0.00005"	±0.005mm



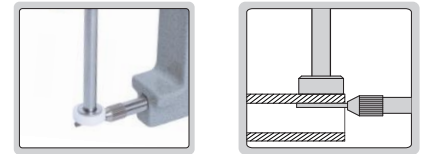
DATA  
OUTPUT

## DIGITAL TUBE THICKNESS GAUGES

- Buttons: on/off, inch/mm, zero, data preset, change measuring direction, absolute/incremental measurement
- Keep preset data in memory after restart
- Battery CR2032, automatic power off (time is adjustable)
- Data output
- Optional accessory:  
wireless transmitter code **7315-50M** (receiver is needed) page 6,  
bluetooth transmitter code **7214-50M** page 12,  
data output cable code **7302-50M** page 21



2859-101



Code	Range	Resolution	Accuracy
2859-10	0-10mm/0-0.4"	0.01mm/0.0005"	±0.02mm
2859-101	0-10mm/0-0.4"	0.001mm/0.00005"	±0.005mm

## THREAD/LEAD SCREW PITCH DIAMETER SNAP GAUGES

application



BALL TIP DIAMETER  
CAN BE CUSTOMIZED

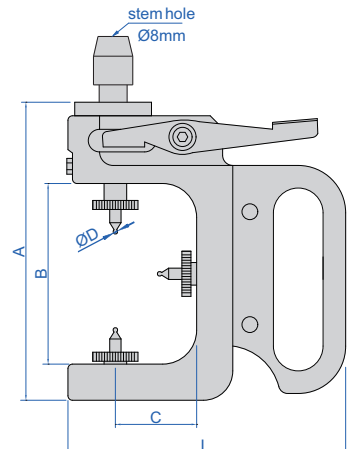


digital indicator  
is optional



- Measure the pitch diameter of lead screw and external thread
- Ball tip diameter can be customized according to workpieces.  
Diameter of trapezoidal screw or external thread ball tips:  
 $\varnothing D = 0.5 \times \text{pitch} / \cos(\text{thread angle } \alpha/2)$ .  
Ball tips diameter  $\varnothing D$  of ball screw is corresponding steel ball specification
- Probe retracting range: 3mm, measuring force: 20N
- Repeatability: 2 $\mu$ m
- Optional accessory: 0.001mm digital/dial indicators

2165-40



(mm)

Code	Range	Accuracy	A	B	C	L
2165-20	3-20mm	±5 $\mu$ m	116	60	27	113
2165-40	20-40mm	±5 $\mu$ m	132	80	37	123
2165-60	40-60mm	±5 $\mu$ m	152	138	46	100
2165-80	60-80mm	±5 $\mu$ m	172	156	59	121
2165-100	80-100mm	±5 $\mu$ m	192	170	68	140